

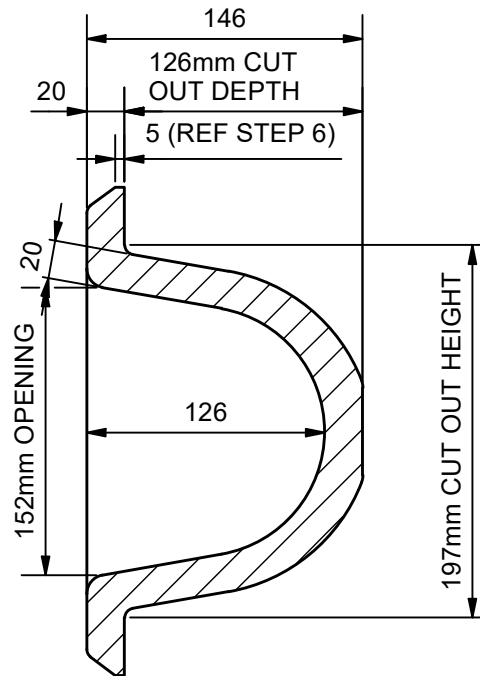
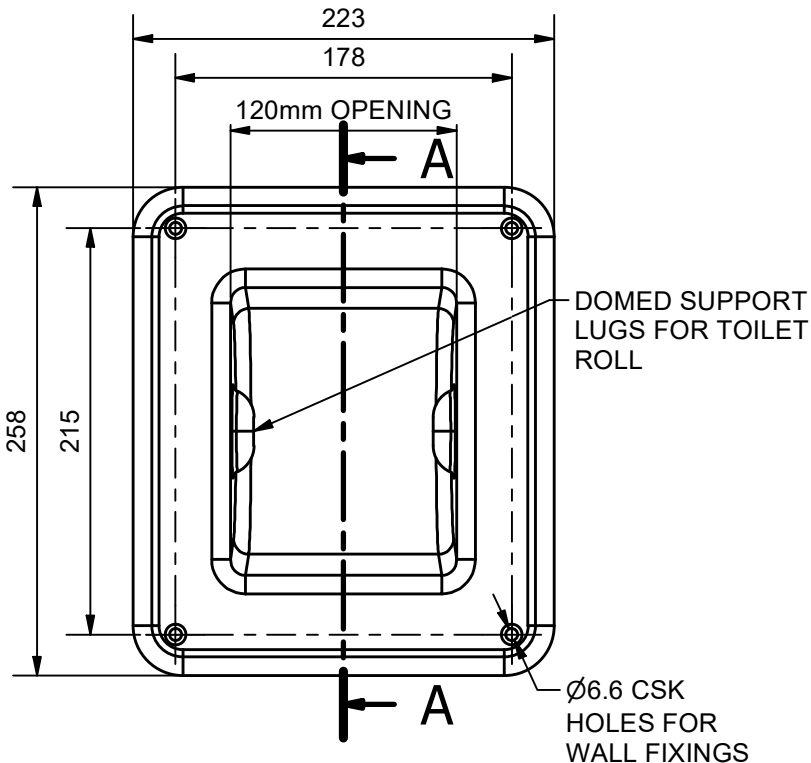
| REVISION HISTORY | | | | |
|------------------|------------|-------------|----|------|
| REV | DATE | DESCRIPTION | BY | CHKD |
| 1 | 01/03/2021 | CREATED | PH | RD |

Installation Description

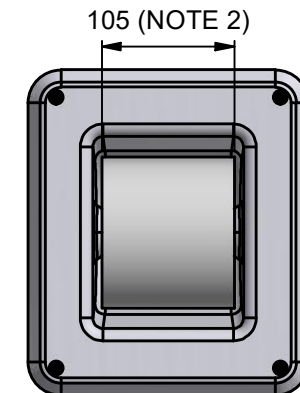
1. Make an opening in wall to dimensions detailed on drawing.
2. Mark the fixing points on the wall.
3. Drill 4x holes in the marked positions.
4. Hold the product up to the holes and retain with 4x No12x2" torx s/steel security CSK self tapper (supplied). Follow suitable guidelines for the wall material onsite to retain toilet roll holder.
5. Gradually tighten the fixings in stages so not to stress the solid surface material.
6. Apply a suitably approved anti-pick mastic to seal the product to the wall. the recessed toilet roll holder has 5mm wide flats on all edges to aid with this.
7. Use a suitable tool to profile the mastic to the angled profile of the product.

Notes:

1. The toilet roll holder must be mounted in the orientation shown.
2. The holder suits toilet rolls with a 42mm MIN ID and 105mm MAX width.



SECTION VIEW A-A
(SCALE 1 : 4)



© 2021 Copyright THIS DRAWING IS THE PROPERTY OF WALLGATE LIMITED AND IS ISSUED ON THE STRICT UNDERSTANDING THAT THE INFORMATION CONTAINED WILL NOT BE REPRODUCED, COPIED OR USED WITHOUT PRIOR AGREEMENT OF WALLGATE LTD.



TITLE: RECESSED TOILET ROLL HOLDER
Drg No: TRH-04

Model/Client/Project:

MATERIAL: SOLID SURFACE

FINISH: SILK POLISH

SHEET 1 OF 1

Limits: (unless stated)
± 0.25mm (sheetmetal)
± 0.10mm (machined)
± 2.00mm (pattern)
± 5.00mm (moulded)

All dimensions in mm,
All angles 90° (unless stated)

SCALE: NTS

A4 **3rd**